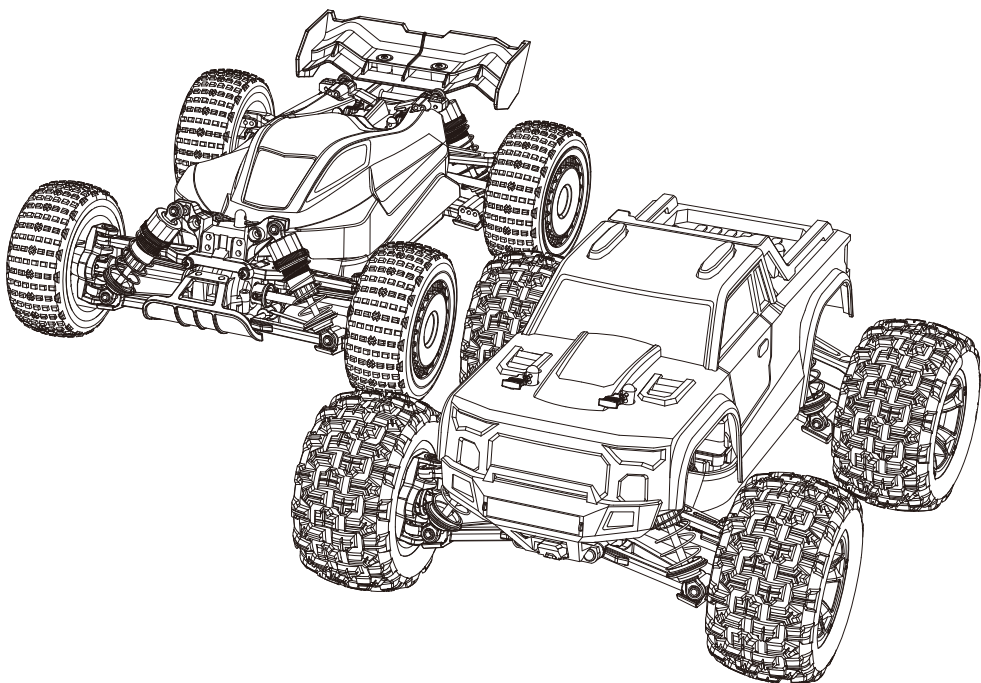


OFF-ROAD

1:16 RC HIGH SPEED CAR USER MANUAL



The instruction sheet for this product is just for your reference. We reserve the right to make changes or adjustments on the product without prior notification. Please refer to the official information.

Warning:

Choking hazard! This product contains small parts. NOT suitable for children under 3 years. Contains electrical components and should be kept dry at all times. Regularly check the battery charger wires, plugs and shell and other components for damage. DO NOT use if any part is damaged.

Warnings & Cautions

1. Detachable small parts should be stored safely and out of reach of children.
2. If interference is experienced, turn the model off and try it again in a different area.
3. Transmitter will not function correctly if the batteries are low. Please replace the batteries.
4. Please discard old/used batteries in a safe manner. Consider your environment!
5. Please store the remote control model in cool, dry place.
6. DO NOT expose to fire or high temperatures, do not store in moist place.
7. Once the battery get wet, wipe immediately with a soft dry cloth.
If the battery any deformation, please stop using.
8. If you don't use the model for a long time, please raise the chassis to let the wheels hang in the air.


Precautions for Battery Use

1. Transmitter uses 2x1.5V "AA" batteries.
2. Please pay attention to correct polarity when replacing batteries.
3. Rechargeable batteries should be charged under adult supervision.
4. Do not mix old and new batteries. Do not mix alkaline, standard (carbon-zinc), or rechargeable batteries.
5. After the battery is exhausted, the model should be removed.
6. Exhaust battery should be safety dispose!
7. DO NOT short circuit any terminals.
8. DO NOT attempt to recharge non rechargeable batteries.
9. Remove batteries from the model when charging.
10. DO NOT put batteries into a fire or into water.
11. The rated input voltage battery charger MUST be suitable for your mains power voltage.
12. During charging it is quite normal for the charger and batteries to heat up.
13. Do not swallow battery!
14. Store only in cool, dry and dark places and should be keep out of the children!
15. When the battery leaks the liquid and let it into you eyes, please right away rinse them and consult an ophthalmologist.

Safety Precautions

- It is a radio control model, not a toy!
- In order to enjoy running the car, you need to finish assembly before operation. Do routine maintenance work after operation. Replacement parts and option parts are available separately.
- Improper usage with Alkaline cells or rechargeable batteries may damage the electronics for the car or the radio.

In order to operate the car safely. Be sure that you have observed the following points:

 Please follow the points as below in order to prevent accident from happening to the car and people.



- Be sure to read thoroughly the manual before you begin. Fresh user should seek advice from people having rich experience in order to assemble the model correctly.



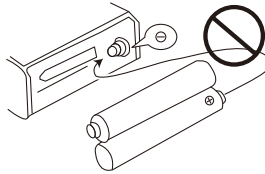
- Cutters, nippers and screwdrivers need careful handling.



- As the product contains small and sharp parts, assemble and store this product only in places out of the reach of children.




- Do not expose this model to high temperature, humidity or direct sunlight.



- Never reverse connection/ disassemble the battery. This may lead to damage and leakage.

- When the model is not in use, always turn off the receiver and transmitter. Further more, disconnect the batteries and remove them from the model and the transmitter. This may be dangerous such as overheat and leakage.

Operating Your Model Safely

 Do NOT operate the model in the following places and situations. (Non-observance may lead to accident!)

- Operate your model in spacious and safe areas! Do not operate it:
 1. On road!
 2. In places where children and many people gather.
 3. In residential districts and parks!
 4. Do not operate the model on public roads, in crowded places and near infant as it may cause accidents.
 5. Indoors and in limited space! Non-observance may result in personal injury and property damage!
- The car must stop immediately and check for the reasons when it is operating abnormal. As long as the problem is not cleared, do NOT operate it! This may lead to further trouble and unforeseen accidents!
- Always check the radio batteries!
With weak dry batteries, transmission and reception of the radio would fall off. You may lose control of your model in such condition. This may also cause serious accidents!
- Keep in mind that people around you may also operate a radio control model!
NEVER share the same frequency with somebody else at the same time! Otherwise, Radio signals will be mixed up and you will lose control to your model. This may lead to accidents.
- Do NOT put fingers or any objects inside rotating and moving parts!
- Right after use, do NOT touch the motor! Danger of burning yourself!

FCC PART 15 B Notice: CAUTION

Warning: Changes or modifications to this unit not expressly approved by the party responsible for compliance could void the user's authority to operate the equipment.

NOTE: This equipment has been tested and found to comply with the limits for a Class B digital device, pursuant to Part 15 of the FCC Rules. These limits are designed to provide reasonable protection against harmful interference in a residential installation. This equipment generates, uses and can radiate radio frequency energy and, if not installed and used in accordance with the instructions, may cause harmful interference to radio communications.

However, there is no guarantee that interference will not occur in a particular installation. If this equipment does cause harmful interference to radio or television reception, which can be determined by turning the equipment off and on, the user is encouraged to try to correct the interference by one or more of the following measures:

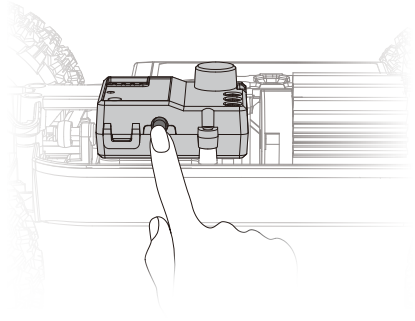
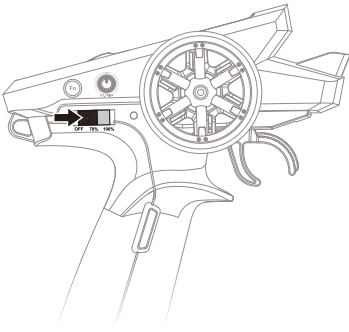
- Reorient or relocate the receiving antenna.
- Increase the separation between the equipment and receiver.
- Connect the equipment into an outlet on a circuit different from that to which the receiver is connected.
- Consult the dealer or an experienced radio/TV technician for help.

This device complies with Part 15 of the FCC Rules. Operation is subject to the following two conditions:

- (1) this device may not cause harmful interference, and
- (2) this device must accept any interference received, including interference that may cause undesired operation.

Power Switch

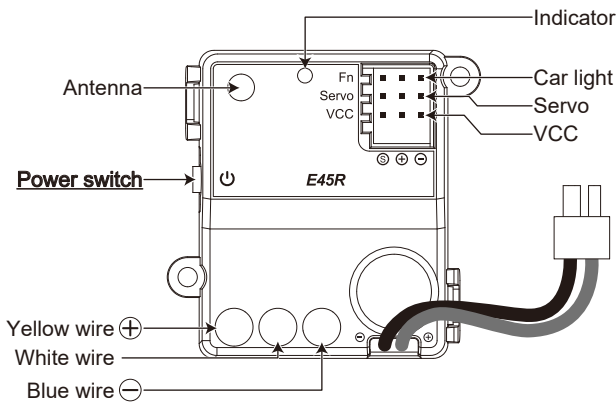
1. Turn on the power switch of the transmitter, the signal indicator light of transmitter flashes.
2. Press the power button of high speed car, which is on the side of the ESC; the indicator light of high speed car flashes.
3. When the indicator light stays on, the high speed car can be operated to play.



- ⚠️
- When turn on the transmitter, please DO NOT touch the throttle and steering. After turn on the transmitter's power, please operate after the indicator light of transmitter staying on.
 - Please comply the principle of "turn on the transmitter firstly, then turn on the high speed car".
 - In the frequency matching, please make sure there is only one pair of transmitter and high speed car in matching at the same time, otherwise the frequency will match wrongly.

E45R Receiver & ESC 2-in-1

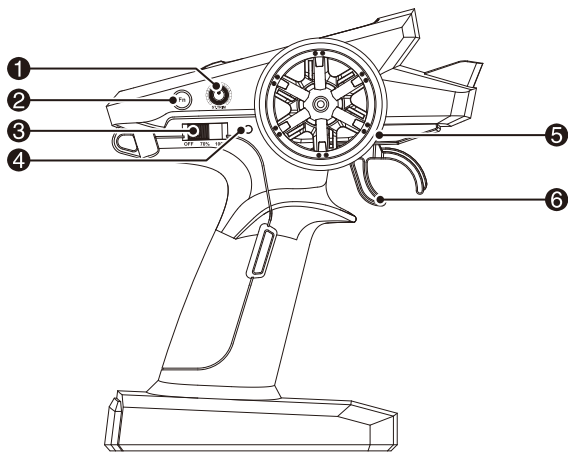
⚠️ Please Do Not forcible/reversely insert all sockets.



Red indicator situation	Meaning
Stay on	With signal
Flash quickly	a. No Signal b. Pull the trigger
Flash slowly	Low voltage
Flash twice	Overheat protection
Stay off	Block rotation protection

Blue indicator situation	Meaning
Flash	Without transmitter's signal
Stay on	With transmitter's signal

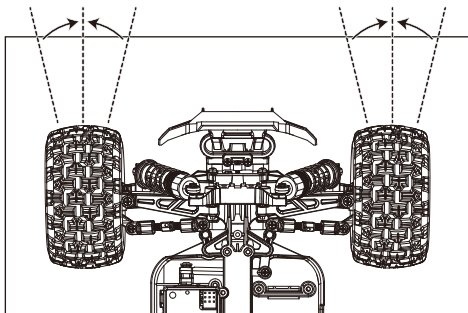
T3A Transmitter



- ① ST.TRIM
(Steering servo strimmer)
- ② Fn (CH3 Light control)
- ③ Power switch
(OFF-70%TH-100%TH)
- ④ Indicator light
- ⑤ CH1: ST (Steering)
- ⑥ CH2: TH (Throttle)

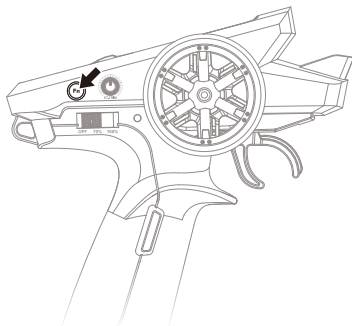
①ST.TRIM (Steering servo strimmer)

If the car cannot go straightly during driving, it can be adjusted through the ST.TRIM.

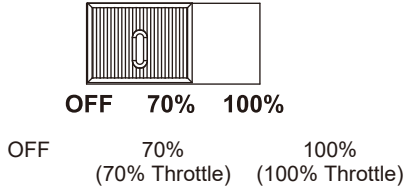


②Fn (CH3 Light control)

Short Press the "Fn" button to turn on/off the light of high speed car.



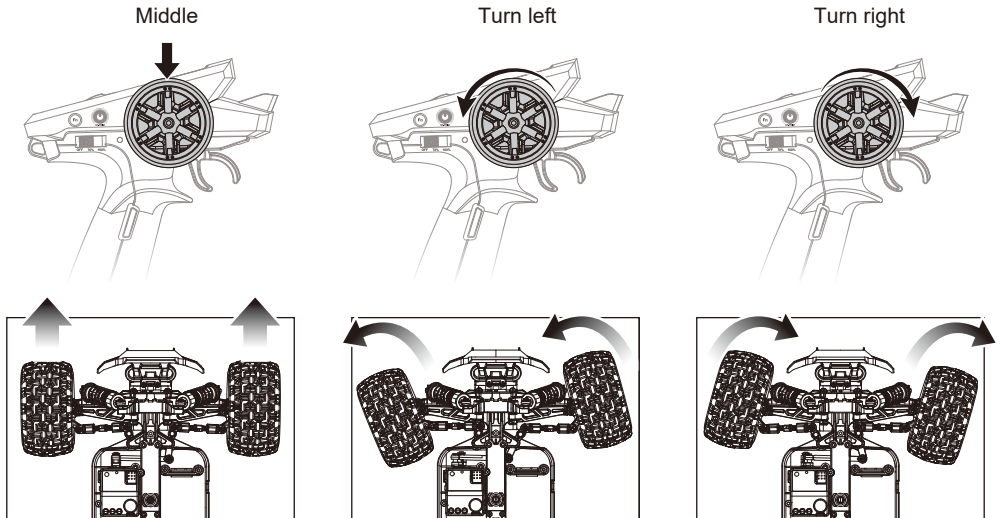
③ Power/Speed switch



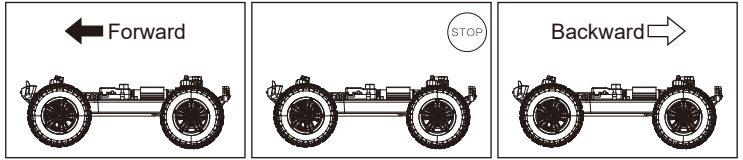
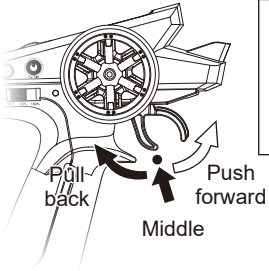
④ Indicator light

Stays on	Working well
Flash quickly	Frequency mating
Flash slowly	Low battery of transmitter

⑤ CH1: ST (Steering)



⑥CH2: TH (Throttle)

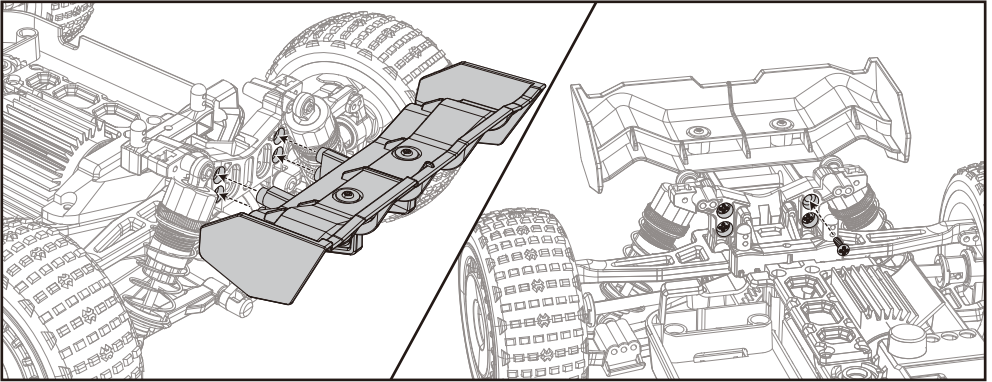


Brake: When the car is going forward, pull the transmitter trigger back, and the car enters into the braking state. After the trigger is in the middle, push back again, and the car can move backward.

*When the car is in reverse situation, it does not the brake function.

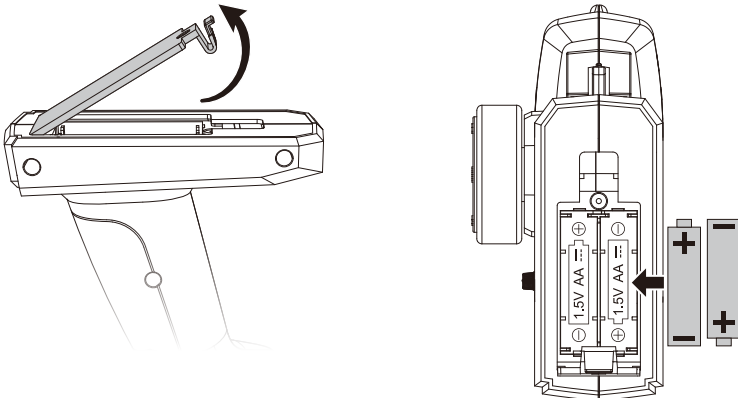
Install the Tail (Use for M162)

Install the tail to the rear shock tower, lock with 4 screws.



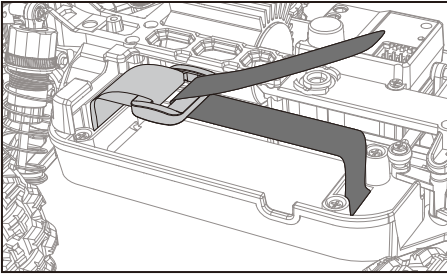
Install the Transmitter's Battery

Open the transmitter's battery cover, insert 2 AA batteries according to the indicated positive and negative direction, close the battery cover.

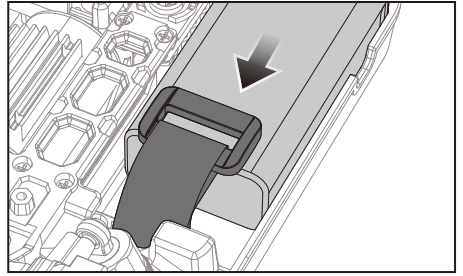


Install the Battery

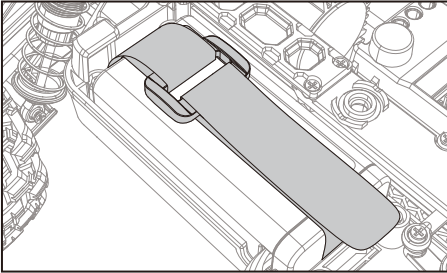
- ① Unlock the fixing tape;
- ② Insert the battery into the battery box, make sure it's in place;
- ③ Tighten the battery with the fixing tape;
- ④ Connect the receiver plug to the battery.



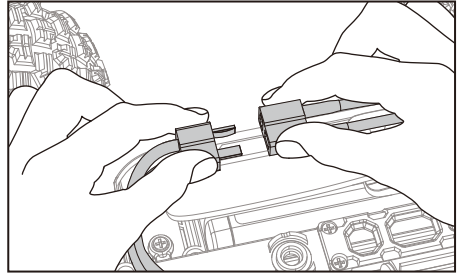
①



②



③



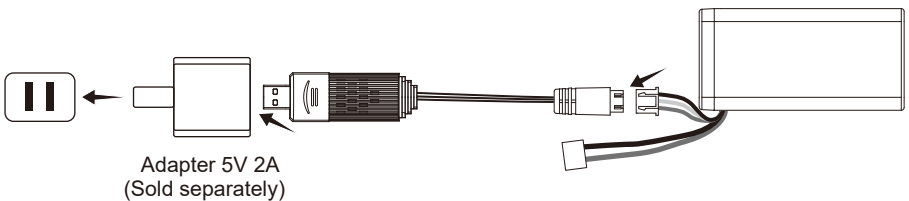
④

Charge

If charging with a 5V 2A USB adapter.

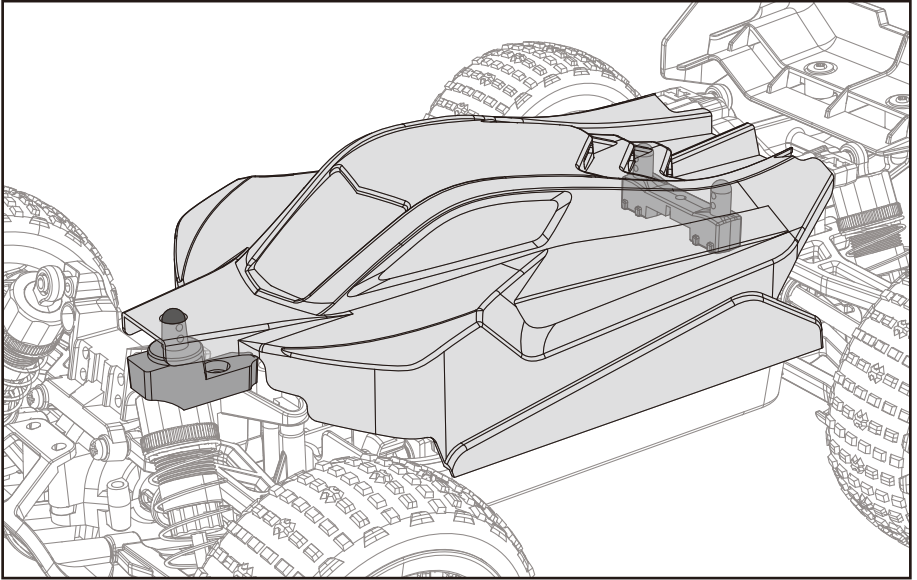
- When charging, the indicator light of charger is green and flashes;
- When the battery is fully charged, the green indicator light of the charger stays on.

*The above charging time data is based on the test result of 5V 2A adapter. Using different specifications of adapters or power supply equipment will affect the actual charging time. It is recommended to use a 5V 2A adapter for charging.

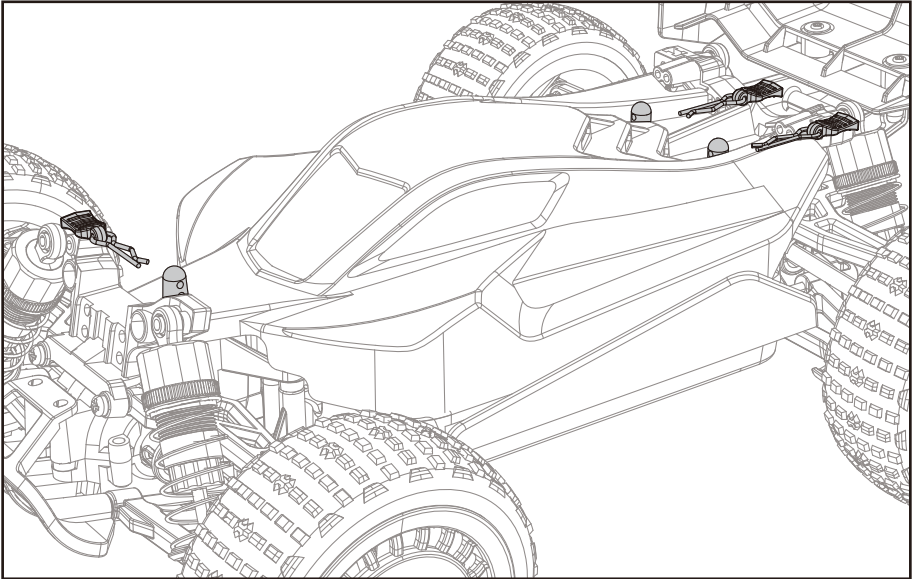


Install Car Shell (Use for M162)

1. Align the 3 holes of the car shell with holders, then install it.

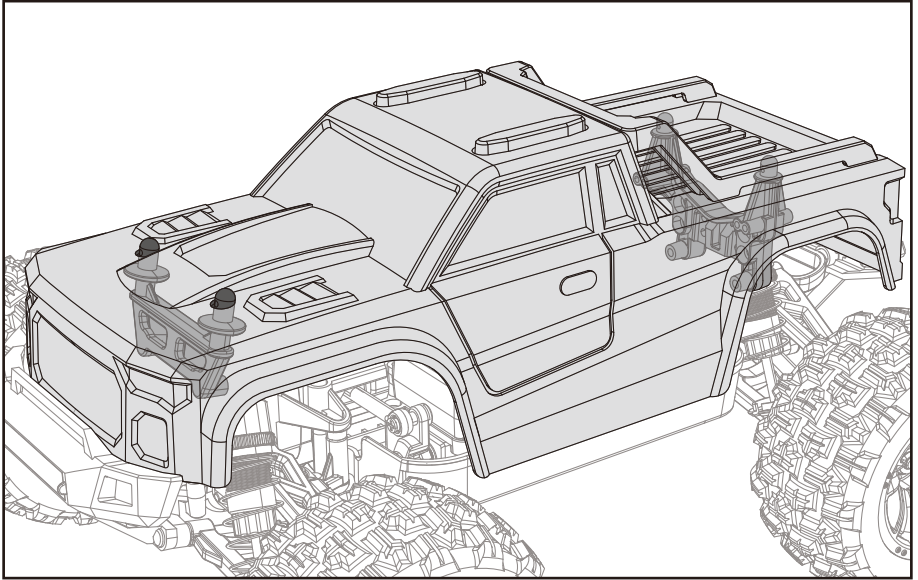


2. Insert the 3 clips into the holes to lock the car body.

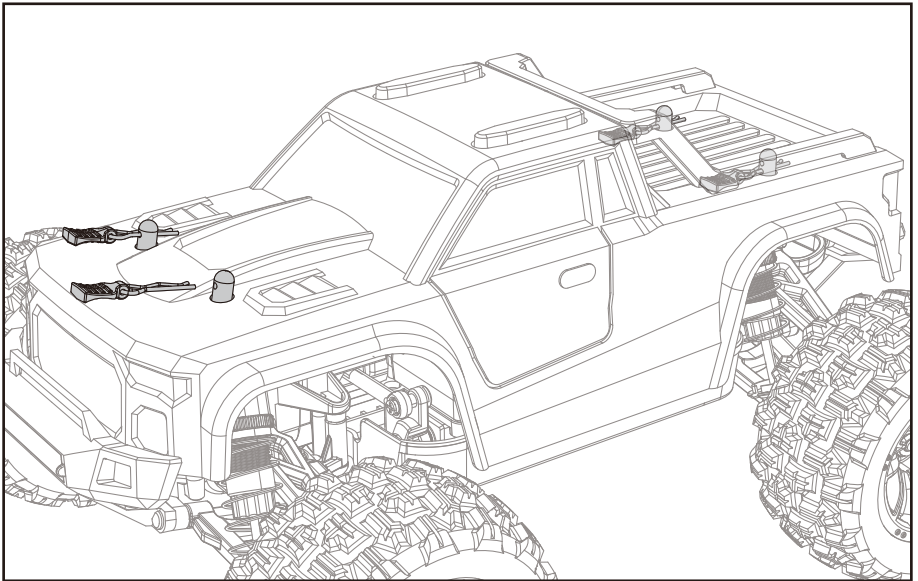


Install Car Shell (Use for M163)

1. Align the 4 holes of the car shell with holders, then install it.



2. Insert the 4 clips into the holes to lock the car body.

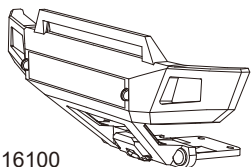


16100 Front Bumper Assembly (With LED) (Use for M163)

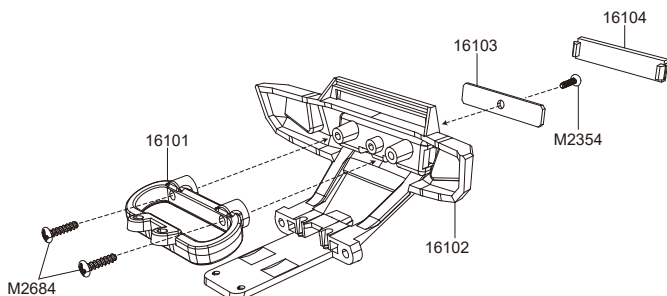
Screw:

M2684 $\varnothing 2.6 \times 8 \text{mm}$ 2PCS
Round head screws

M2354 $\varnothing 2.3 \times 5 \text{mm}$ 1PCS
Round head screws



16100

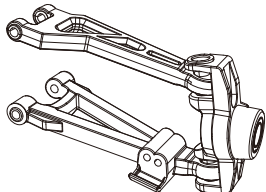


16200 Front Swing Set

Screw:

M26124 $\varnothing 2.6 \times 12.5 \text{mm}$ 2PCS
Countersunk flat head screws

16200

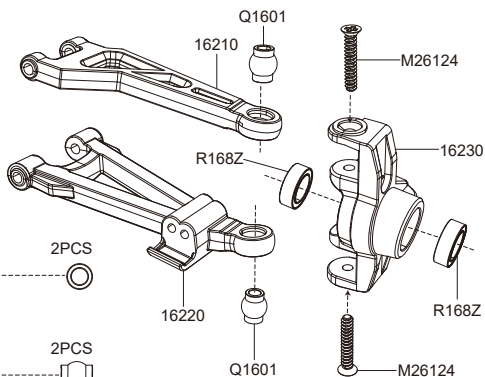


Bearing:

R168Z 2PCS
Ball bearing

Pivot balls:

Q1601 2PCS
Steering pivot balls



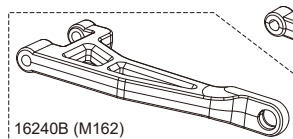
16201/16202 Rear Swing Set

Rear hub pins:

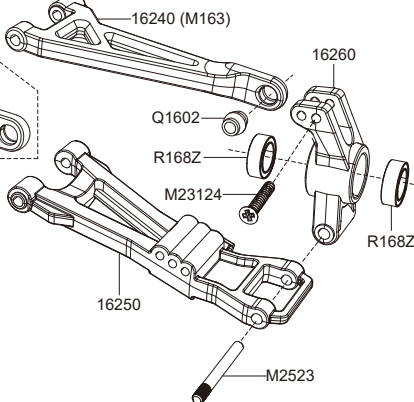
M2523 1PCS
Rear hub pins

Pivot balls:

Q1602 1PCS
Steering pivot balls



16240B (M162)

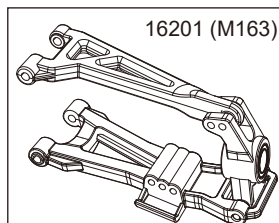


Screw:

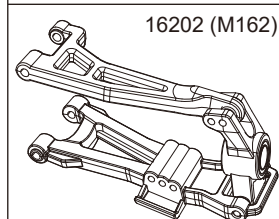
M23124 $\varnothing 2.3 \times 12 \text{mm}$ 1PCS
Countersunk flat head screws

Bearing:

R168Z 2PCS
Ball bearing

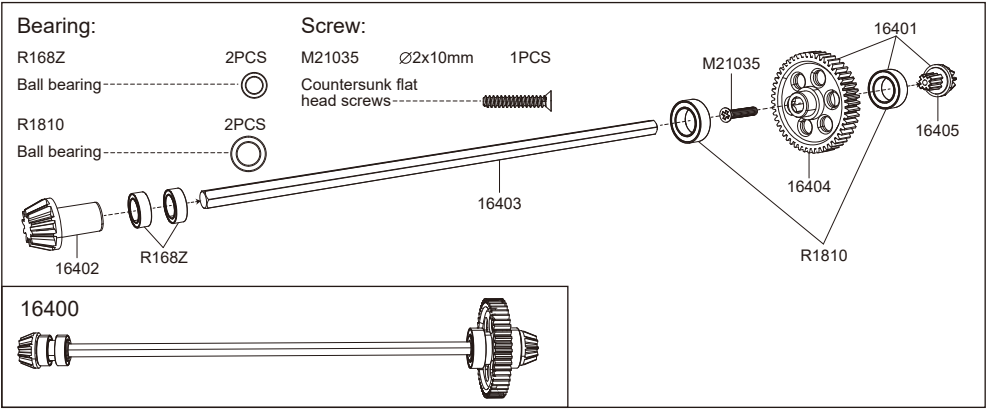


16201 (M163)

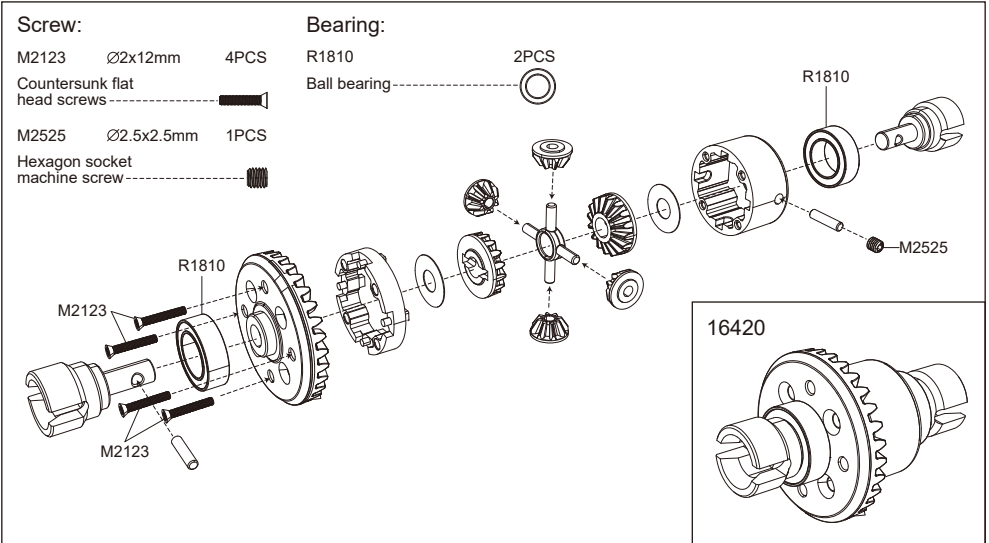


16202 (M162)

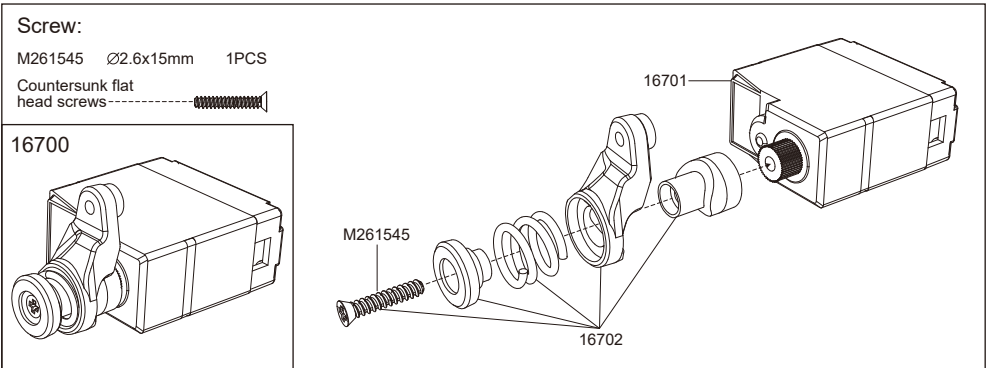
16400 Metal Gears Main Driving Set



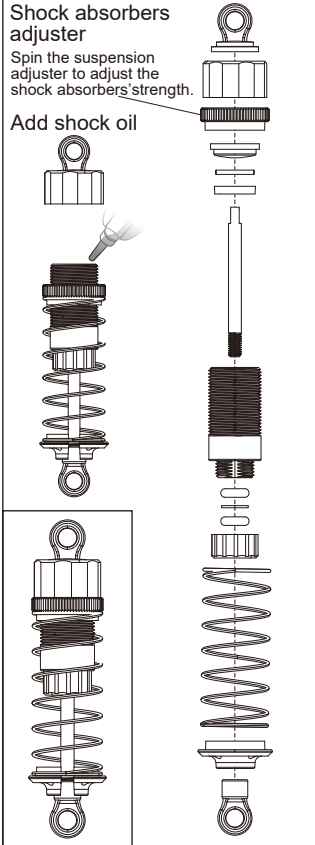
16420 Metal Gears Diff Assembly



16700 Servo Assembly



16500R/16510R/ 16500M Oil Filled Shock



B2835A Motor Assembly

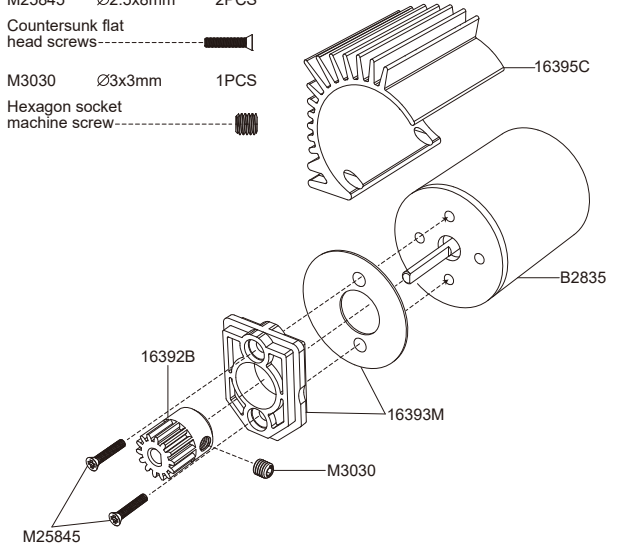
Screw:

M25845 $\varnothing 2.5 \times 8 \text{mm}$ 2PCS

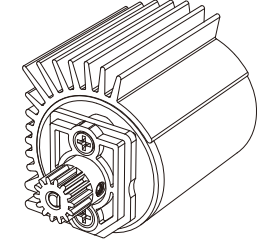
M3030 $\varnothing 3 \times 3 \text{mm}$ 1PCS

Countersunk flat head screws

Hexagon socket machine screw



B2835A



16430S Steering Assembly

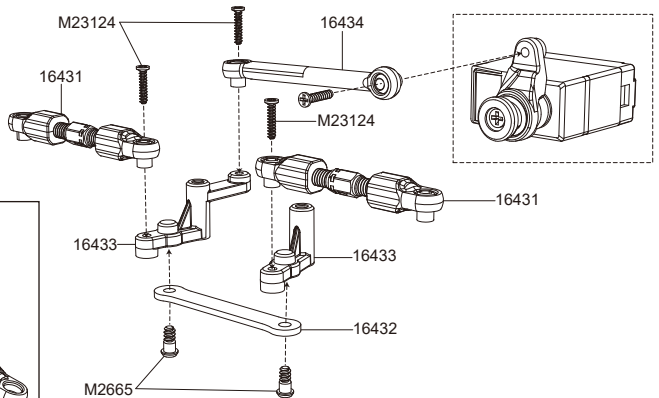
Screw:

M23124 $\varnothing 2.3 \times 12 \text{mm}$ 3PCS

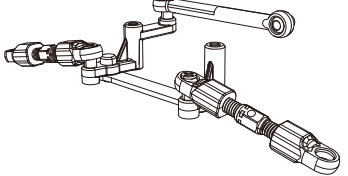
Countersunk flat head screws

M2665 $\varnothing 2.6 \times 6.5 \text{mm}$ 2PCS

Step flat screws



16430S



High Speed Car Assemble

Screw:

M26104 $\varnothing 2.6 \times 10 \text{mm}$ 10PCS

Round head screws ----- 

M23104 $\varnothing 2.3 \times 10 \text{mm}$ 6PCS

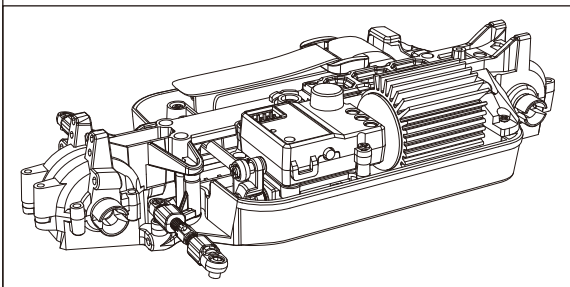
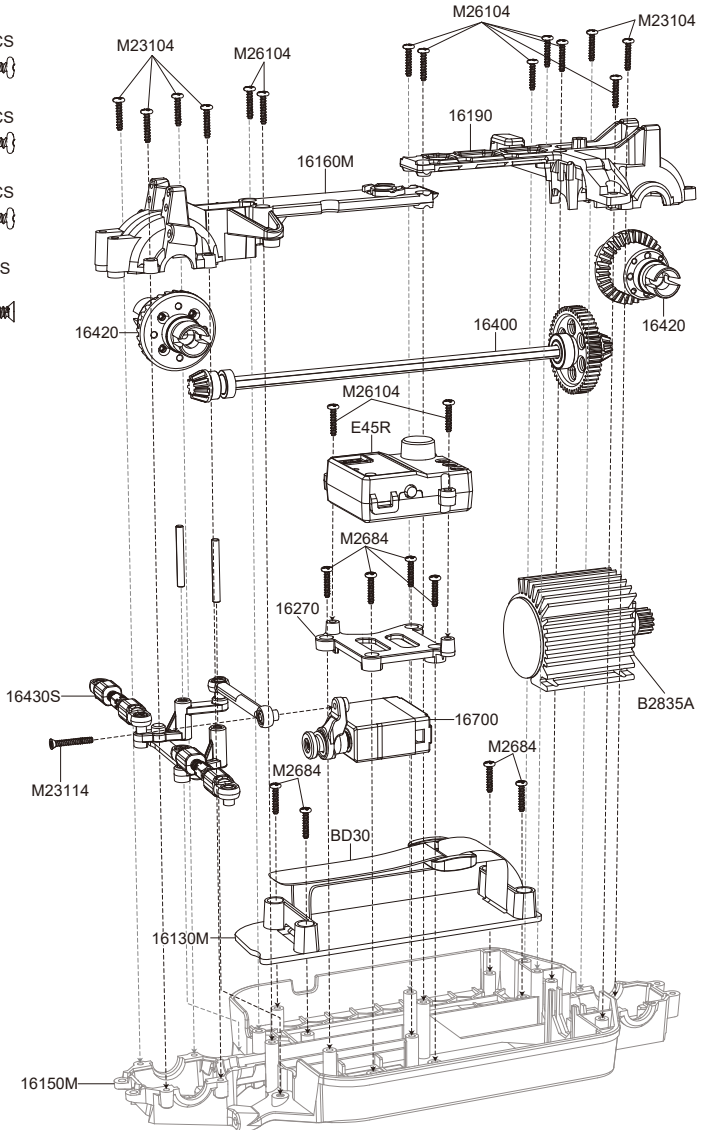
Round head screws ----- 

M2684 $\varnothing 2.6 \times 8 \text{mm}$ 8PCS

Round head screws ----- 






M23114 $\varnothing 2.3 \times 11 \text{mm}$ 1PCS

Countersunk flat head screws ----- 



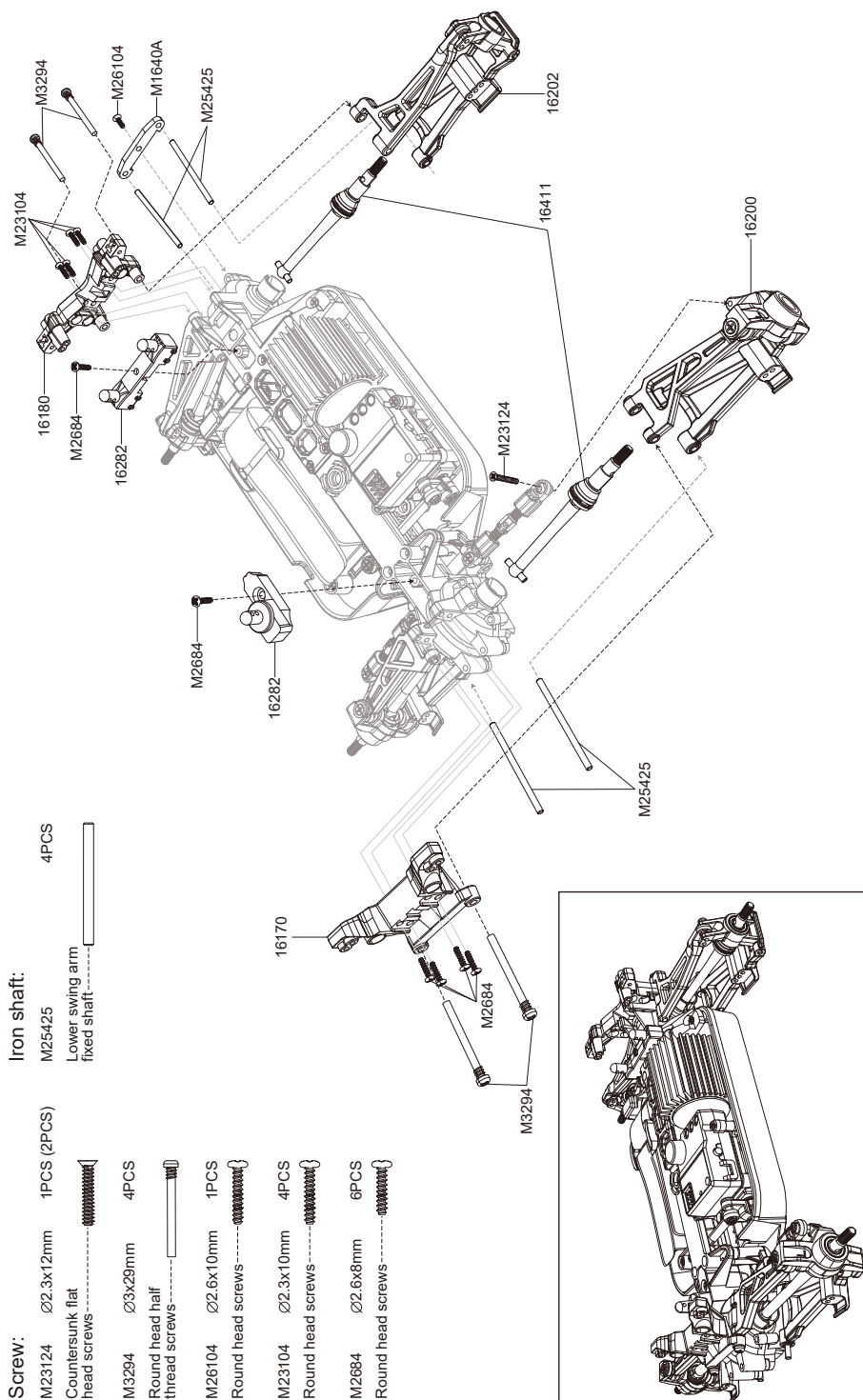
High Speed Car Assemble (Use for M162)

Screw:

- | | | |
|-------------------------------|---|-------------|
| M23124 | ∅2.3x12mm | 1PCS (2PCS) |
| Countersunk flat head screws |  | |
| M3294 | ∅3x29mm | 4PCS |
| Round head half thread screws |  | |
| M26104 | ∅2.6x10mm | 1PCS |
| Round head screws |  | |
| M23104 | ∅2.3x10mm | 4PCS |
| Round head screws |  | |
| M2684 | ∅2.6x8mm | 6PCS |
| Round head screws |  | |

Iron shaft:

- | | |
|-----------------------------|--|
| M25425 | 4PCS |
| Lower swing arm fixed shaft |  |



High Speed Car Assemble (Use for M163)

Screw:

M23124 $\varnothing 2.3 \times 12 \text{mm}$ 1PCS (2PCS)

Countersunk flat head screws

M3294 $\varnothing 3 \times 29 \text{mm}$ 4PCS

Round head half thread screws

M26104 $\varnothing 2.6 \times 10 \text{mm}$ 1PCS

Round head screws

M23104 $\varnothing 2.3 \times 10 \text{mm}$ 4PCS

Round head screws

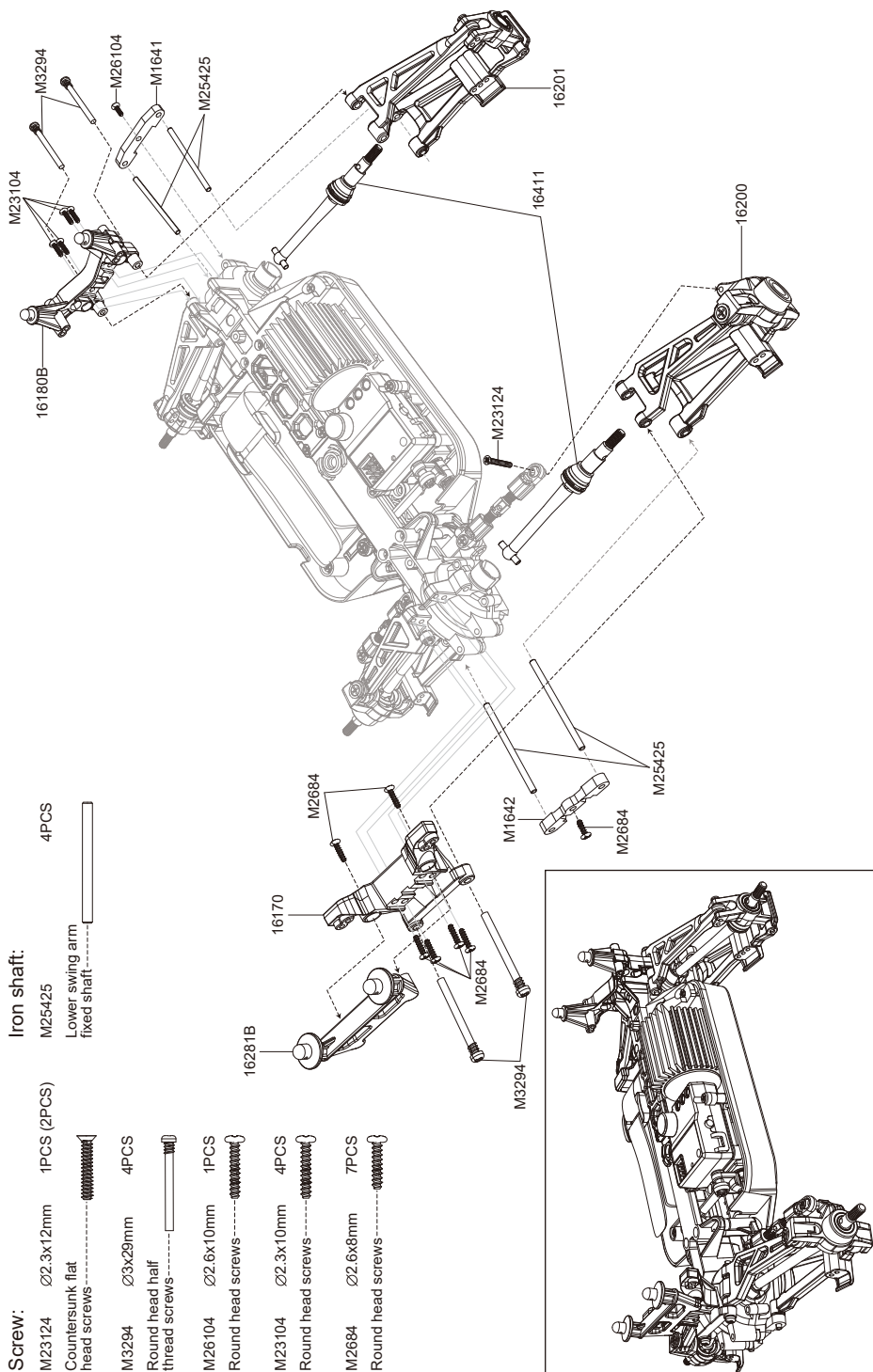
M2684 $\varnothing 2.6 \times 8 \text{mm}$ 7PCS

Round head screws

Iron shaft:

M25425 4PCS

Lower swing arm fixed shaft



High Speed Car Assemble (Use for M162)

Screw:

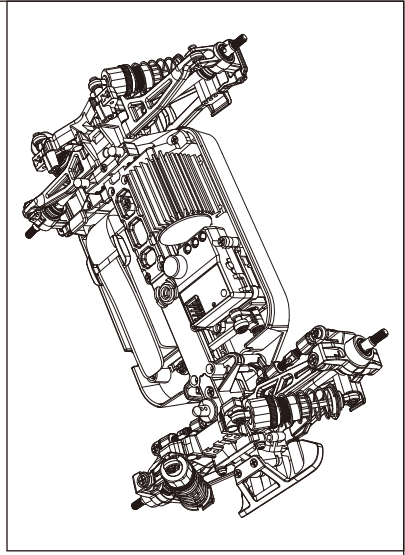
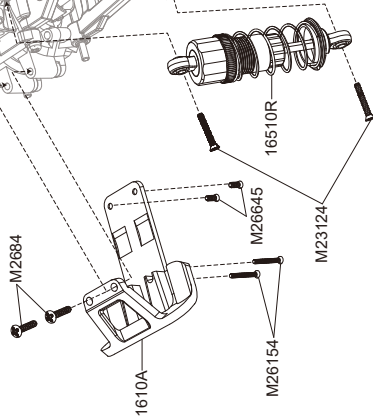
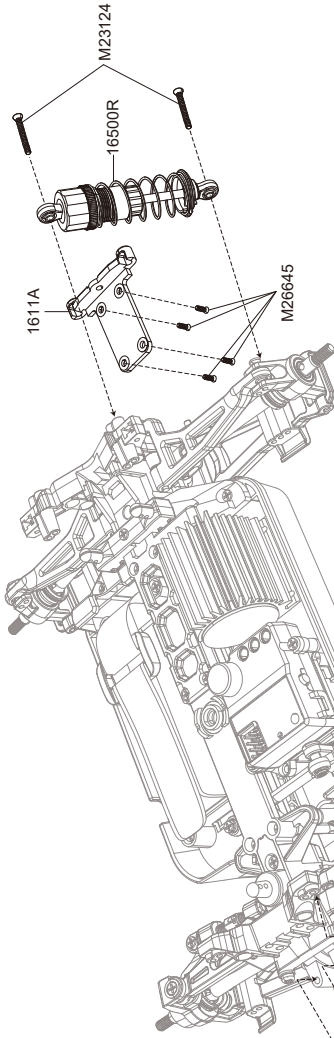
M23124 $\varnothing 2.3 \times 12\text{mm}$ 4PCS (8PCS)

Countersunk flat head screws 

M2684 $\varnothing 2.6 \times 8\text{mm}$ 2PCS
Round head screws 

M26845 $\varnothing 2.6 \times 6\text{mm}$ 6PCS
Countersunk flat head screws 

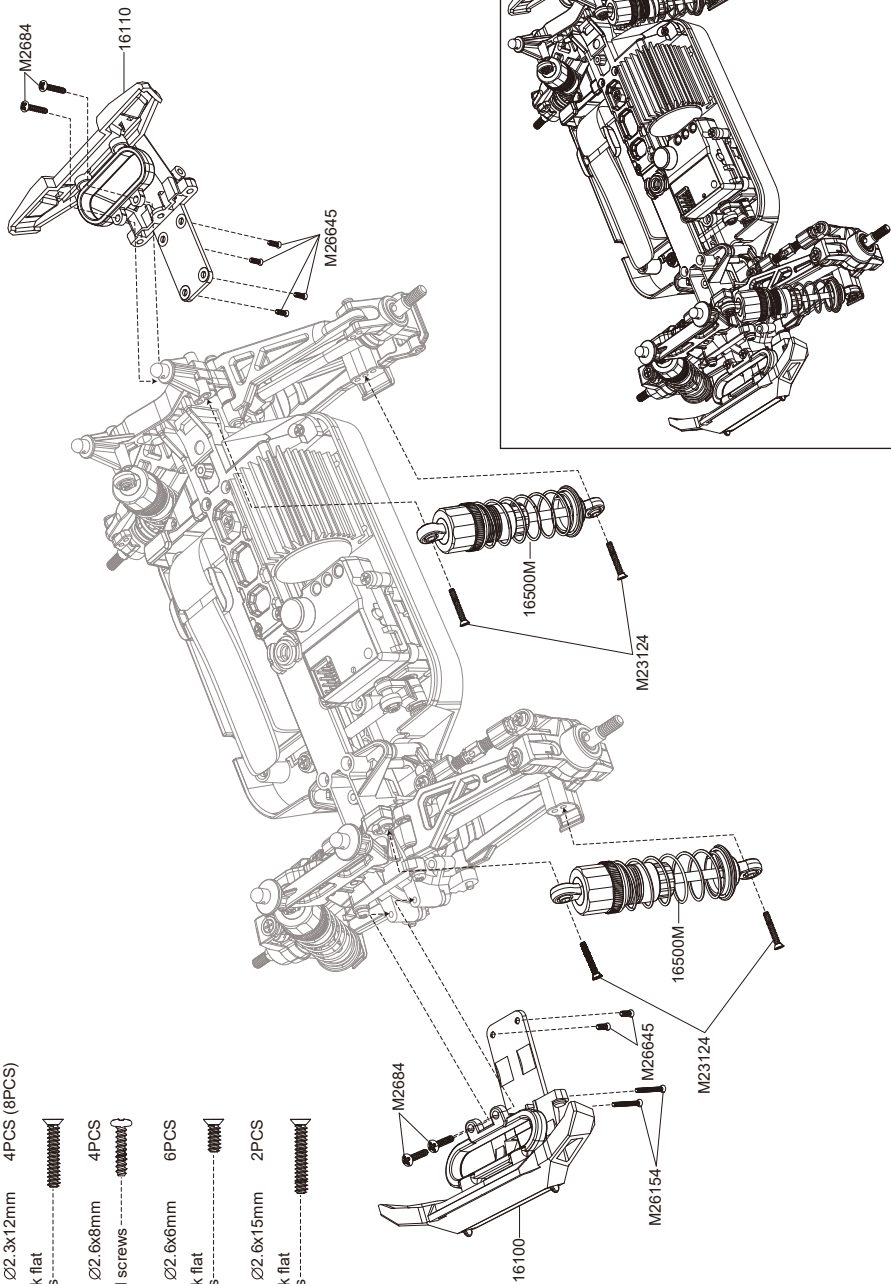
M26154 $\varnothing 2.6 \times 15\text{mm}$ 2PCS
Countersunk flat head screws 



High Speed Car Assemble (Use for M163)

Screw:

- M23124 $\varnothing 2.3 \times 12\text{mm}$ 4PCS (8PCS)
Countersunk flat head screws
- M2684 $\varnothing 2.6 \times 8\text{mm}$ 4PCS
Round head screws
- M26645 $\varnothing 2.6 \times 6\text{mm}$ 6PCS
Countersunk flat head screws
- M26154 $\varnothing 2.6 \times 15\text{mm}$ 2PCS
Countersunk flat head screws




High Speed Car Assemble (Use for M162)

Iron shaft:

M20101 1PCS (4PCS)


Wheel hex pins ----- 

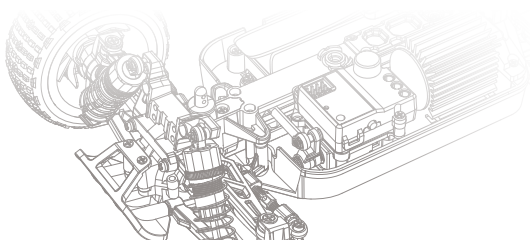
16440 1PCS (4PCS)

Wheel hex ----- 

Nut:

M40 1PCS (4PCS)

M4 Wheel lock nut ----- 

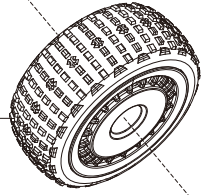
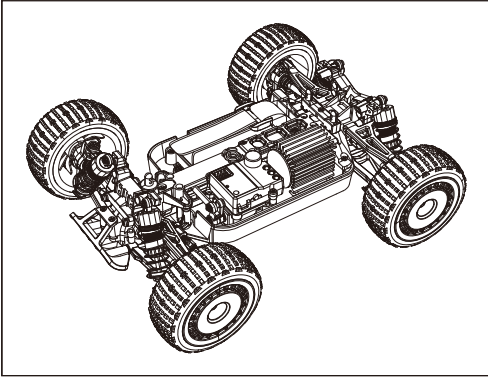


M20101

16440

16300M2

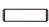
M40



High Speed Car Assemble (Use for M163)

Iron shaft:

M20101 1PCS (4PCS)

Wheel hex pins ----- 

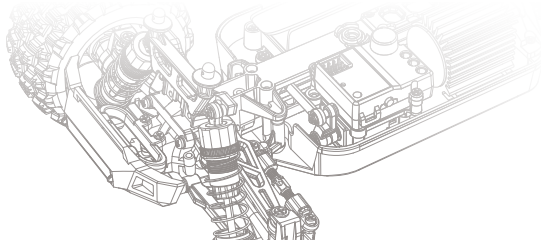
16440 1PCS (4PCS)

Wheel hex ----- 

Nut:

M40 1PCS (4PCS)

M4 Wheel lock nut ----- 

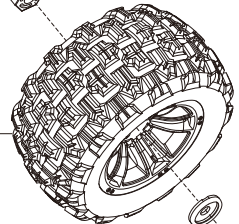
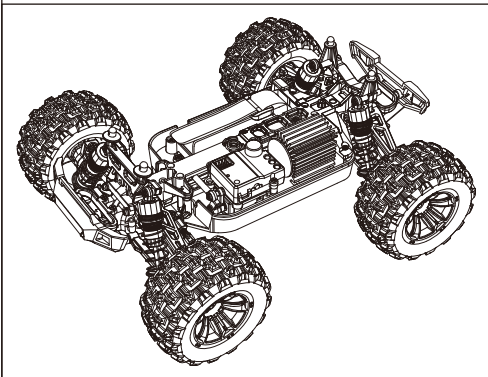


M20101

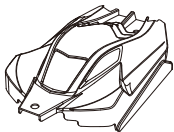
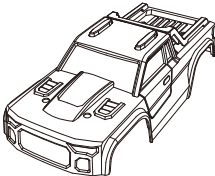
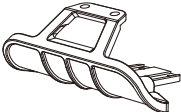
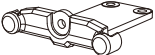

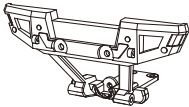
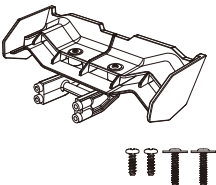
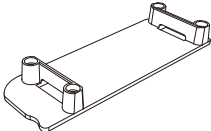
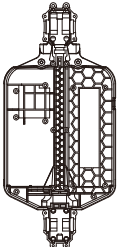
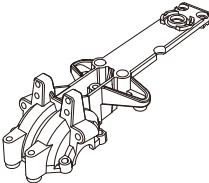
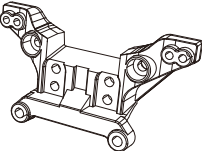
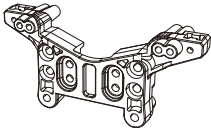
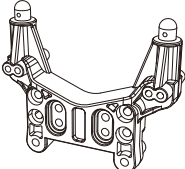
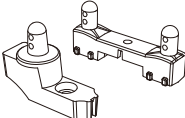

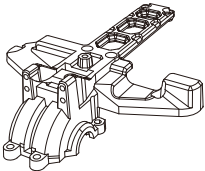
16440

16300B

M40



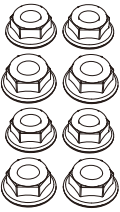
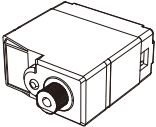

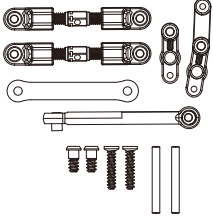
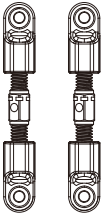

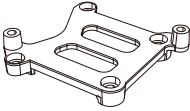
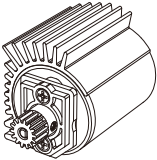

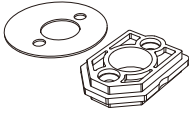
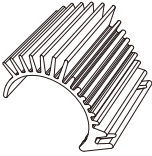


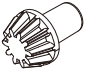

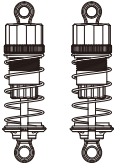
Spare Parts

			
1601M2 (M162) Body	1601M3 (M163) Body	1610A (M162) Front Bumper Assembly (Metal)	1611A (M162) Rear Bumper (Metal)
			
16100 (M163) Front Bumper Assembly	16110 (M163) Rear Bumper Assembly	1612B (M162) Tail	16130M Battery Velcro
			
16150M Chassis	16160M Front Upper Gearbox Covers	16170 Front Shock Tower	16180 (M162) Rear Shock Tower
			
16180B (M163) Rear Shock Tower	16282 (M162) F/R Body Pillars	16281B (M163) Front Body Pillars	16190 Rear Upper Gearbox Covers

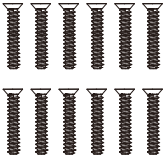
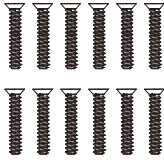

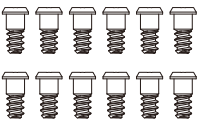







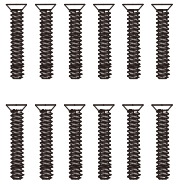
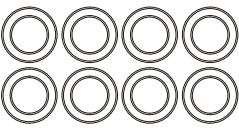



Spare Parts

<p>16210 Front Upper Suspension Arms (Including Ball Head)</p>	<p>16220 Front Lower Suspension Arms (Including Ball Head)</p>	<p>16230 Steering Block</p>	<p>16240B (M162) Rear Upper Suspension Arms (Including Ball Head)</p>
<p>16240 (M163) Rear Upper Suspension Arms (Including Ball Head)</p>	<p>16250 Rear Lower Suspension Arms</p>	<p>16260 Rear Hubs</p>	<p>M25425 F/R Lower Suspension Arms Hinge Pins</p>
<p>M1640A (M162) Rear Reinforced Sheet</p>	<p>M1640 (M163) F/R Reinforced Sheet</p>	<p>16300M2 (M162) Wheel Assembly (2PCS)</p>	<p>16300C (M162) Wheel Assembly (2PCS)</p>
<p>16300B (M163) Wheel Assembly (2PCS)</p>	<p>16410 Metal F/R CVD Shafts (2 Sets)</p>	<p>M20101 Wheel Hex Pins (8PCS)</p>	<p>16440 Wheel Hex</p>

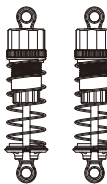
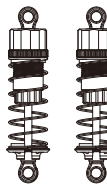
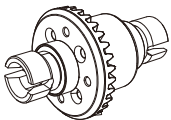
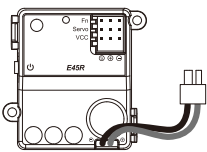
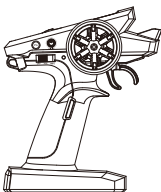
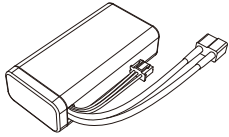

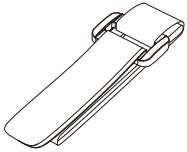
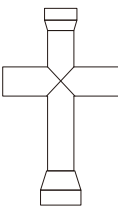
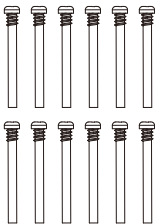
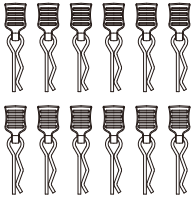

Spare Parts

			
<p>M40 M4 Wheel Lock Nut (8PCS)</p>	<p>16701 Servo</p>	<p>16702 Servo Saver Assembly</p>	<p>16430S Steering Assembly</p>
			
<p>16431 Steering Linkage (2PCS)</p>	<p>16432 Connecting Rod</p>	<p>16270 ESC/REV Fix Frame</p>	<p>B2835A Motor Assembly</p>
			
<p>16392B Motor Pinions</p>	<p>16393M Motor Guard</p>	<p>16395C Motor Heatsink</p>	<p>16400 Metal Gears Main Driving Set</p>
			
<p>16401 Spur Gear Assembly (Metal)</p>	<p>16402 Drive Gear (Metal)</p>	<p>16403 Centre Drive Shaft</p>	<p>16510R (M162) Oil Filled Shock</p>

Spare Parts

			
<p>M26124 Countersunk Flat Head Screws (12PCS)</p>	<p>M23124 Countersunk Flat Head Screws (12PCS)</p>	<p>M2523 Rear Fixing Pin (4PCS)</p>	<p>M2665 Step Flat Screws (12PCS)</p>
			
<p>M2384 Round Head Screws (12PCS)</p>	<p>M2664 Round Head Screws (12PCS)</p>	<p>M26104 Round Head Screws (12PCS)</p>	<p>M23104 Round Head Screws (12PCS)</p>
			
<p>M2684 Round Head Screws (12PCS)</p>	<p>M26645 Countersunk Flat Head Screws (12PCS)</p>	<p>M25845 Countersunk Machine Screws (12PCS)</p>	<p>M26154 Countersunk Flat Head Screws (12PCS)</p>
			
<p>R1810 Ball Bearing (8PCS)</p>	<p>R168Z Ball Bearing (8PCS)</p>	<p>Q1601 Steering Pivot Balls (8PCS)</p>	<p>Q1602 Steering Pivot Balls (8PCS)</p>

Spare Parts

			
<p>16500R (M162) Oil Filled Shock</p>	<p>16500M (M163) Oil Filled Shock</p>	<p>16420 Metal Gears Diff Assembly</p>	<p>E45R Receiver & ESC 2-in-1</p>
			
<p>T3A Transmitter</p>	<p>B2S15K Battery</p>	<p>P2050 USB Charging Cable</p>	<p>BD30 Battery Base</p>
			
<p>P812 Hexagonal Wrench</p>	<p>M3294 Round Head Half Thread Screws (12PCS)</p>	<p>M001 (M162/M163) Body Clips (12PCS)</p>	<p>P810 Screwdriver</p>



MADE IN CHINA

Instructions must be retained since it contains important information.